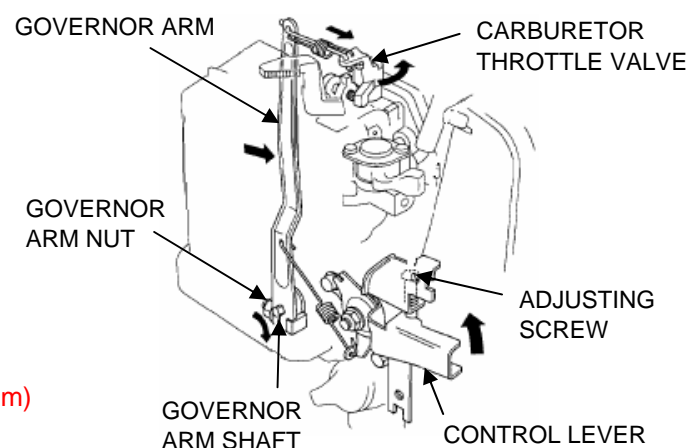




GOVERNOR

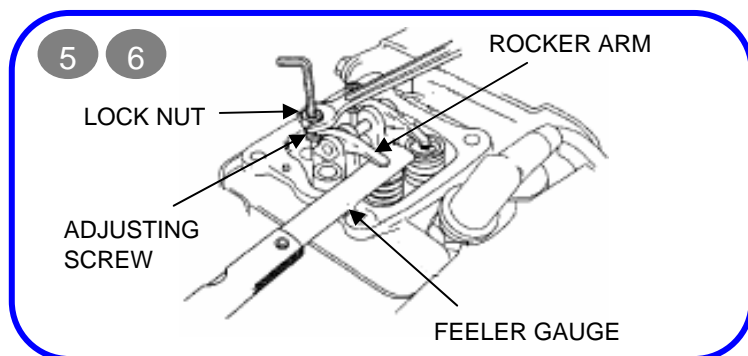
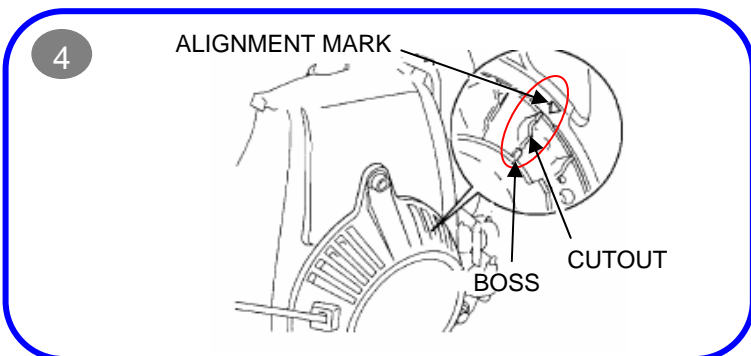
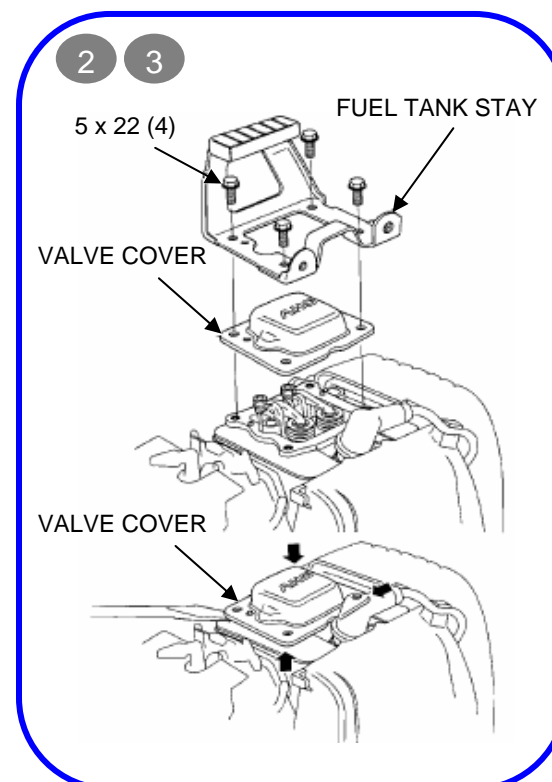
- ①. Remove the fuel tank.
- ②. Move the control lever to the "HIGH SPEED" position.
- ③. Loosen the governor arm nut on the governor arm.
- ④. Push the governor arm end toward the carburetor side, and open the carburetor throttle valve fully.
- ⑤. Holding the carburetor throttle valve fully open, turn the governor arm shaft clockwise fully, and tighten the governor arm nut to the specified torque.
TORQUE: 7.0 N·m (0.7 kgf·m, 5.1 lbf·ft)
- ⑥. Check to see whether the governor arm and the carburetor throttle valve operate smoothly.
- ⑦. Install the fuel tank. Start the engine and allow it to warm up to the normal operating temperature. Move the control lever to the maximum engine speed position and check the maximum engine speed. Maximum engine speed (no load): 7,800 ± 150 min⁻¹ (rpm)
- ⑧. Adjust the maximum engine speed, if necessary, by turning the adjusting screw in or out.



VALVE CLEARANCE

Valve clearance inspection and adjustment must be performed with the engine cold.

- ①. Remove the fuel tank.
- ②. Remove the four 5 x 22 mm flange bolts, and remove the fuel tank stay. When removing the valve cover, pry off slowly at each corner of the valve cover.
- ③. Loosen the valve cover by slightly prying up each corner, then remove the valve cover.
 - Catch up the spilled engine oil with a suitable material when removing the valve cover.
- NOTICE:
 - Do not remove the valve cover with excessive force. It can deform the valve cover.
 - Replace the valve cover if it is deformed.
- ④. Pull the recoil starter rope and set the piston at top dead center of the compression stroke. (Align the cutout in the flywheel fin or the boss on the flywheel with the alignment mark "Δ" on the fan cover.)
 - If the exhaust side opens when the cutout in the flywheel fin is in line with the alignment mark, turn the recoil starter pulley one turn and align the marks.
- ⑤. Insert a feeler gauge between the rocker arm and the valve and measure the valve clearance.
VALVE CLEARANCE: 0.06 - 0.10 mm (0.0024 - 0.0039 in) (IN)
0.09 - 0.13 mm (0.0035 - 0.0051 in) (EX)
- ⑥. If adjustment is necessary, proceed as follows.
 - a. Loosen the adjusting screw lock nut and adjust the valve clearance by turning the adjusting screw in or out.
 - To increase the valve clearance, screw out.
 - To decrease the valve clearance, screw in.
 - b. Holding the adjusting screw with a socket wrench, tighten the lock nut to the specified torque.
TORQUE: 5.5 N·m (0.55 kgf·m, 4.0 lbf·ft)
 - c. After tightening the lock nut, check the valve clearance again.
- ⑦. Reinstall the valve cover and other removed parts in the reverse order of removal.



IGNITION COIL AIR GAP

- ①. Loosen the two ignition coil bolts.
- ②. Insert a feeler gauge of the proper thickness between the ignition coil and the flywheel.

NOTE:

 - Adjust the air gap at the magnetic part of the flywheel.
 - To bring the air gap at both ends of the ignition coil equal, set the feeler gauge along the circumference of the flywheel and adjust the clearance at both ends simultaneously.
- ③. Pushing the ignition coil against the flywheel, tighten the two bolts and adjust the air gap.
AIR GAP: 0.4 ± 0.1 mm (0.016 ± 0.004 in)

